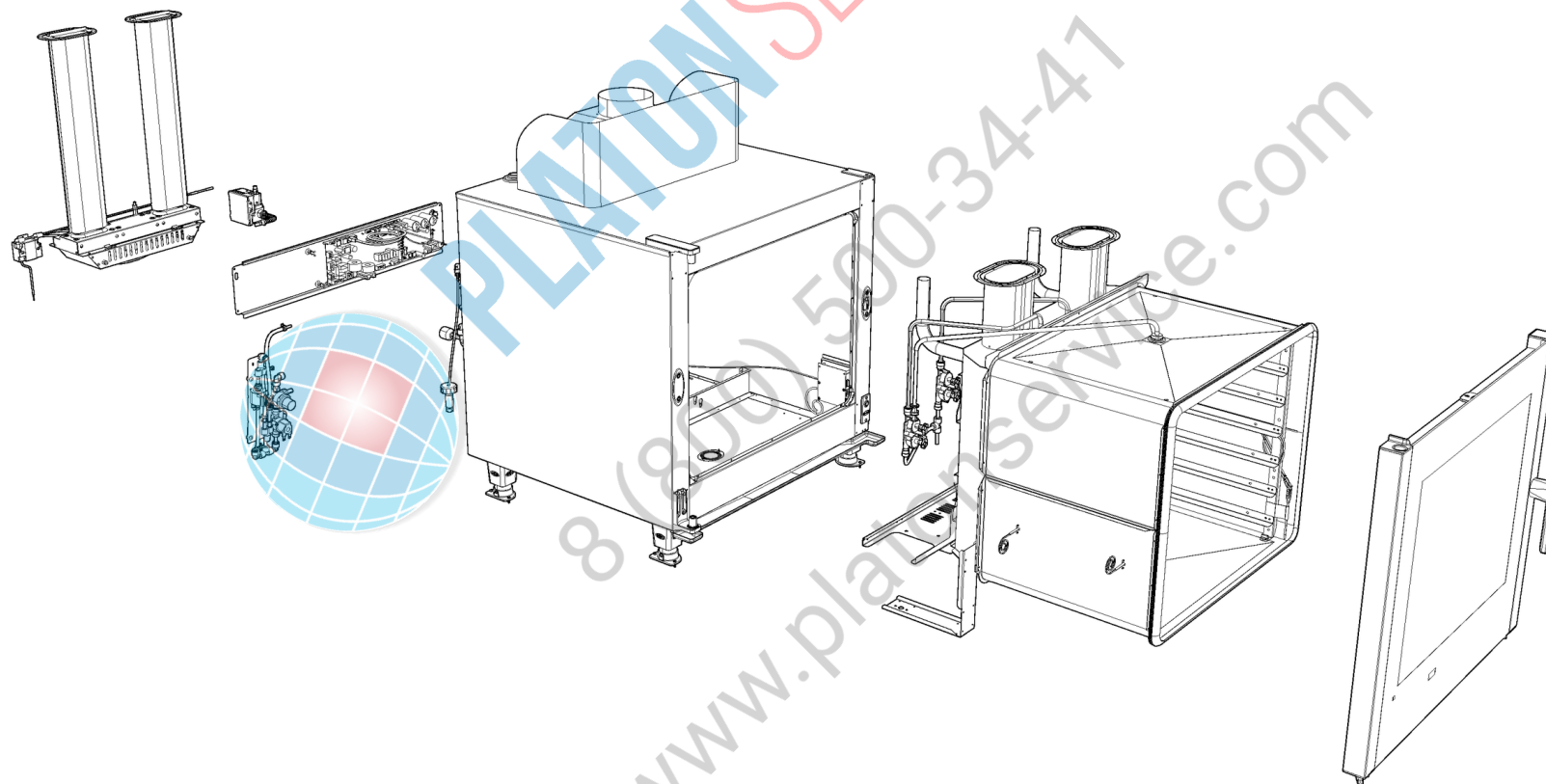
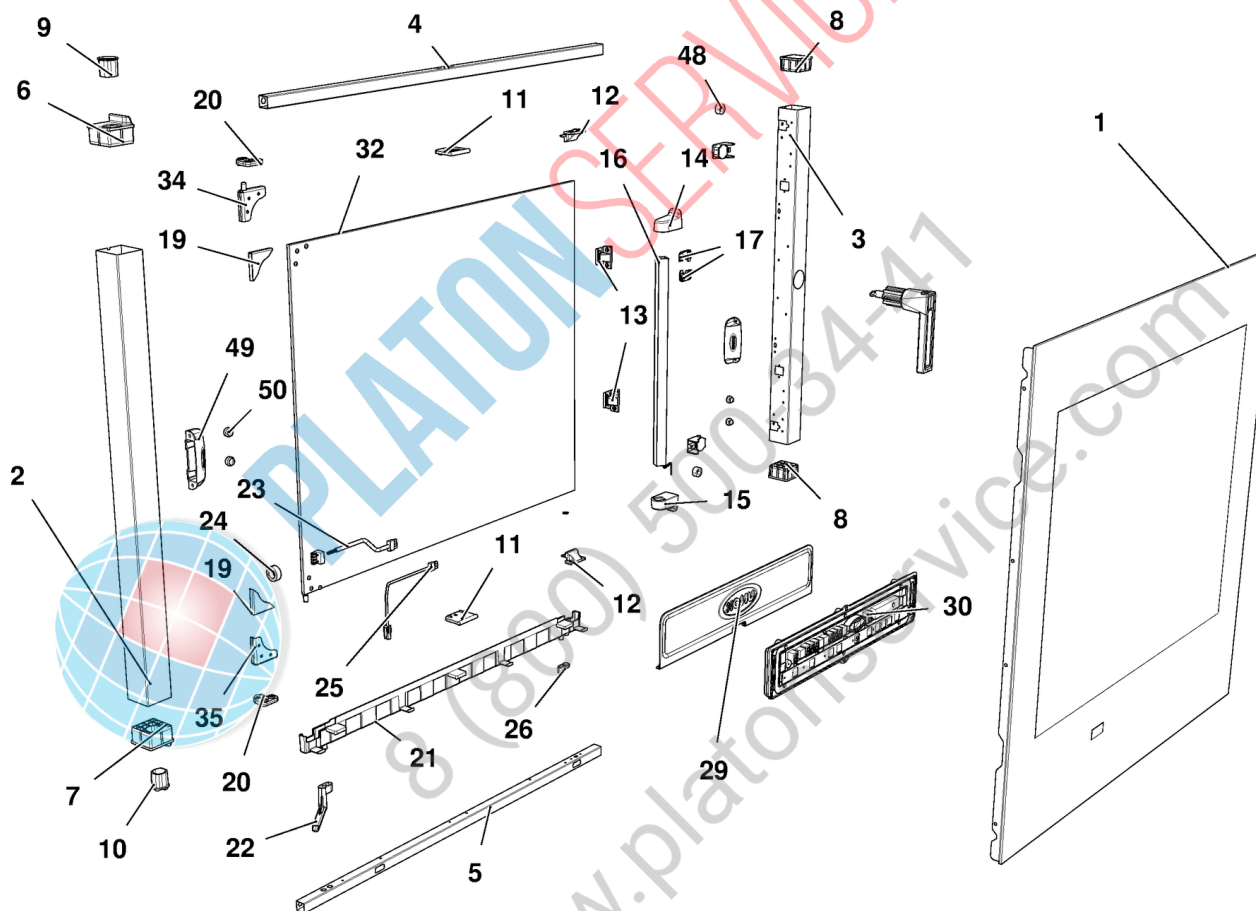


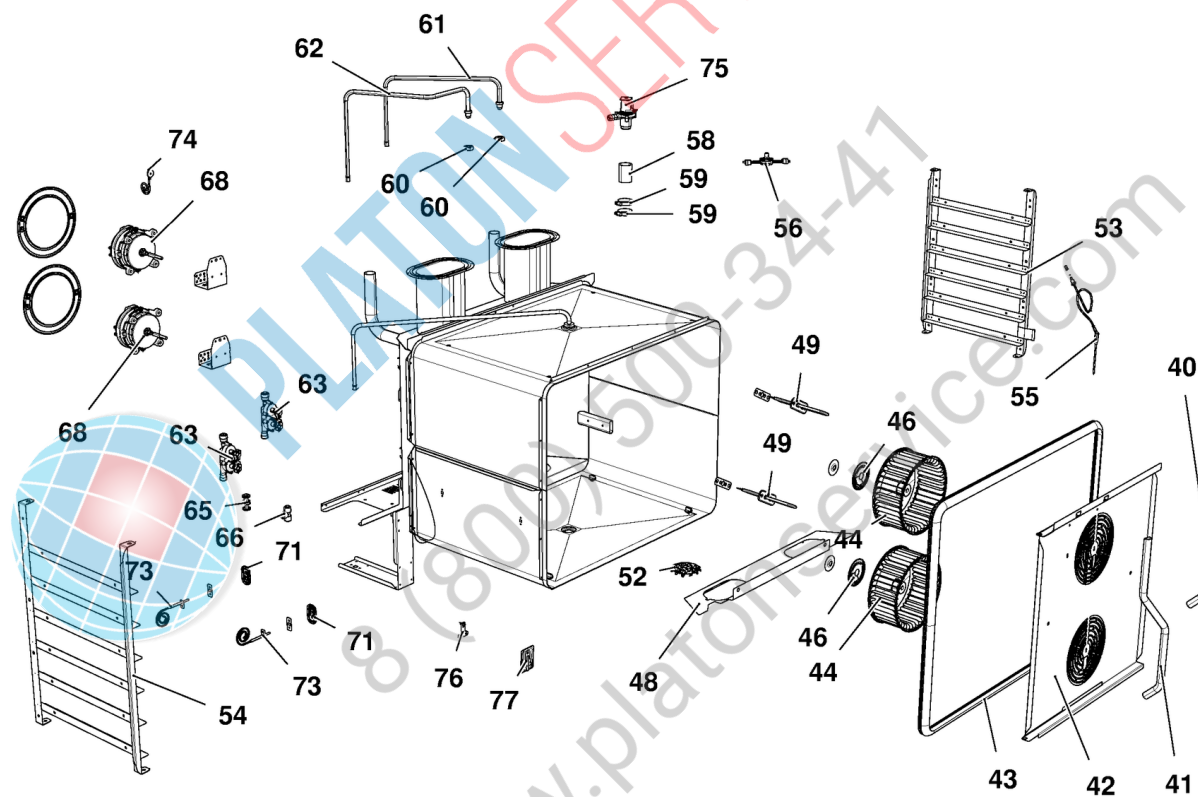
MOD:XBC615EG



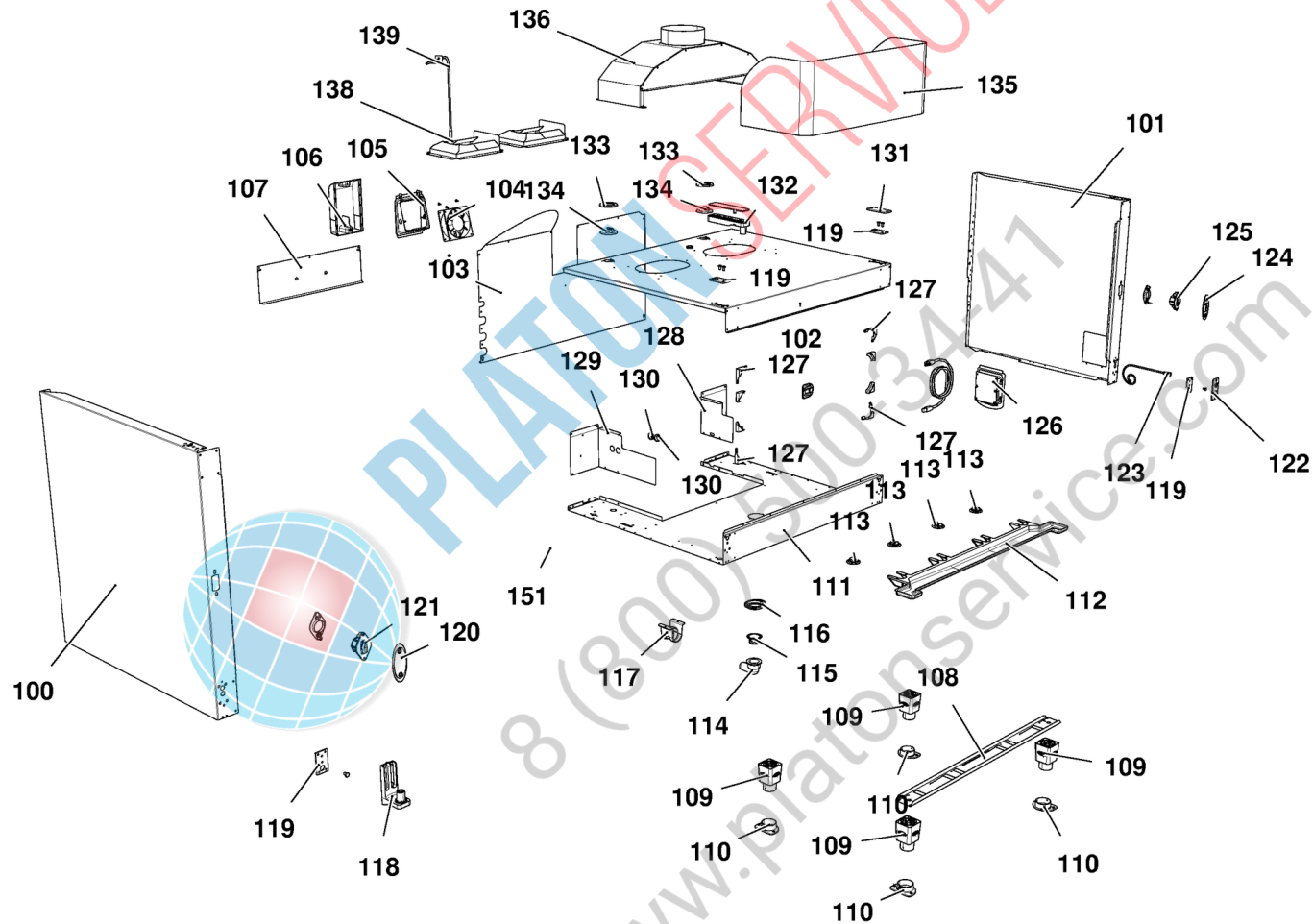
MOD:XBC615EG



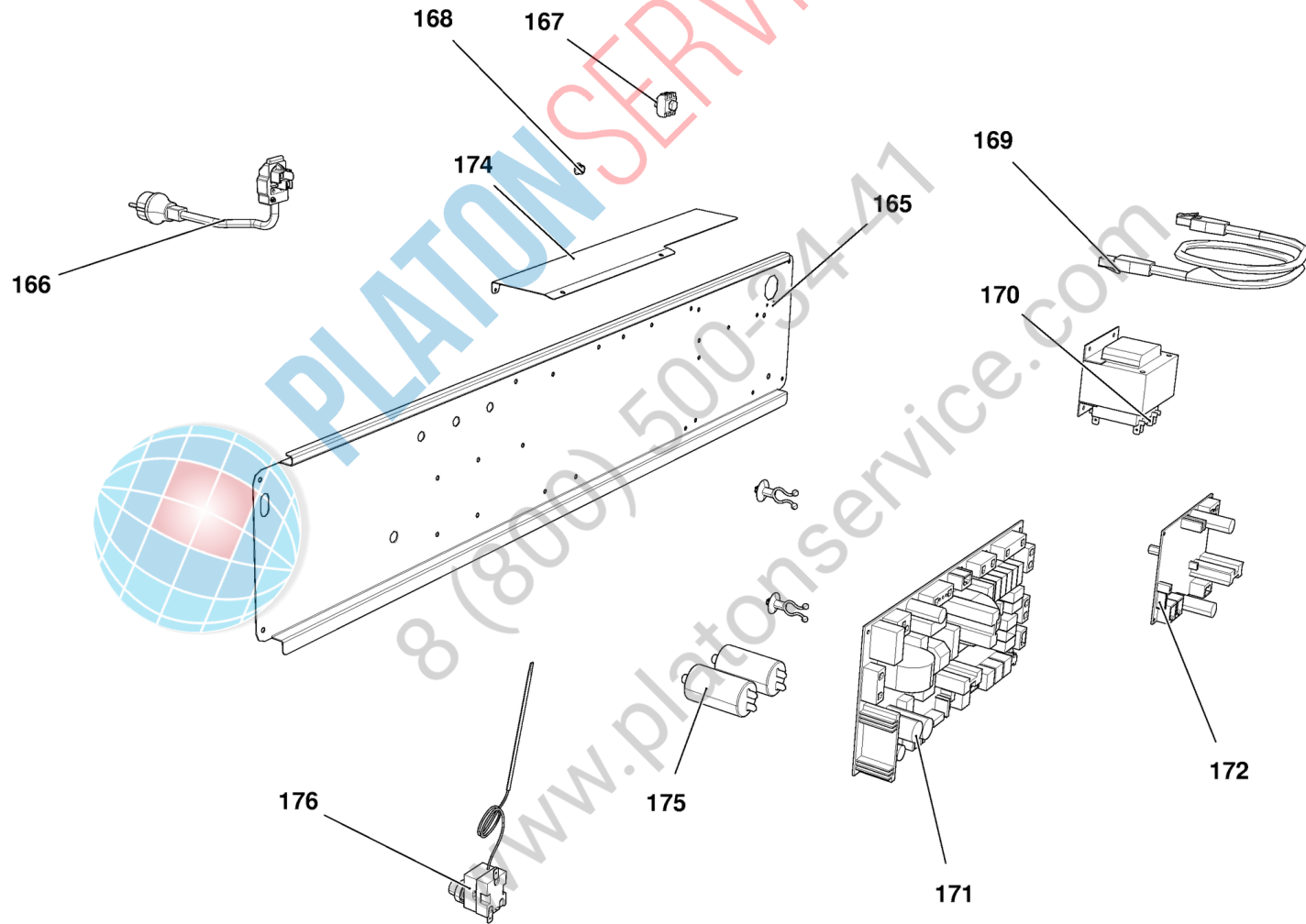
MOD:XBC615EG



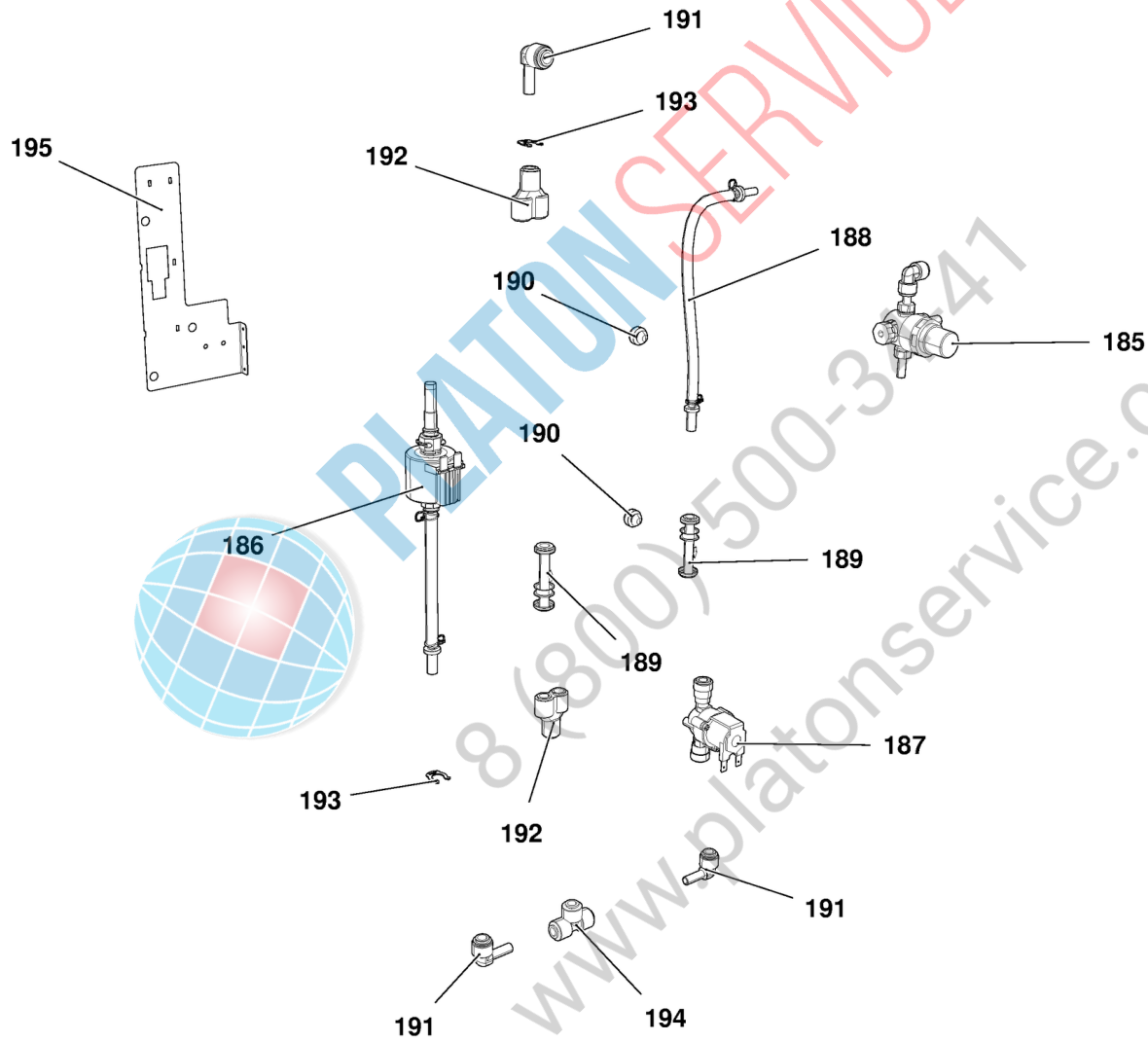
MOD:XBC615EG



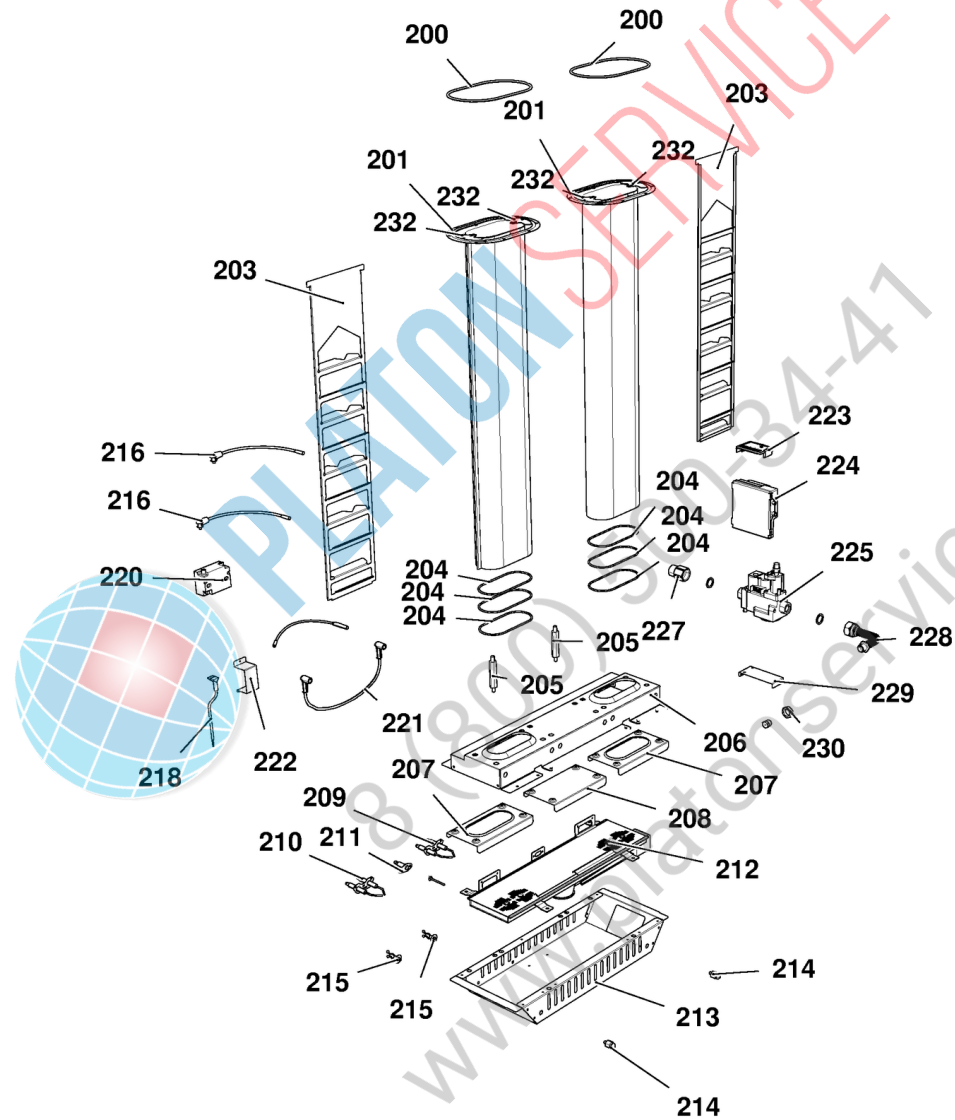
MOD:XBC615EG



MOD:XBC615EG



MOD:XBC615EG



MOD:XBC615EG



IT

Descrizione codici

1	VT1136B	VETRO ESTERNO SER. 757X743X4 CHIA
2	TB1191A	COLONNINA SX PORTA XVC505 XBC605
3	TB2315A	COLONNINA DX PORTA XVC505E-XBC605
4	TB1361A	LISTELLO SUP. BT S.5E 20x20x1
5	TB1362A	LISTELLO INF. BT S.5E 20x20x1
6	VM1170B	TAPPO FULCRO SUP. PORTA XVC204/30
7	VM1171B	TAPPO FULCRO INF. PORTA XVC204/30
8	VM1175A	TAPPO ESTETICO COLONNINA PORTA
9	VM1511A	BOCCOLA LISCIA PERNO PORTA CHEFFT
10	VM1510A	BOCCOLA SCANALATA PERNO PORTA XBC
11	VM2031A	PREMIVETRO ESTERNO
12	VM2043A	SUPPORTO VETRO SUP - INF
13	VM2042A	ASSIEME CHIUSURA VETRO INTERNO LA
14	VM1621A	SUPPORTO SUP BARRA LED
15	VM1620A	SUPPORTO INF BARRA LED
16	LP1002B	BARRA ILLUMINAZIONE LED L400
17	VM1490A	COPRI VITI MANIGLIA CHEFTOP BAKER
19	GN1181A	GUARNIZIONE CERN VETRO INT CR1085
20	VM1680A	CERNIERA APERTURA VETRO INTERNO
21	VM1617A	PROFILO SALVAGOCCIA 400/600/800
22	VM2014A	TUBO PER PROFILO RACCOGLI GOCCE S
23	CE1310A	CAVO COLLEGAMENTO POTENZA CONTROL
24	CE1285A	FERRITE EMI ROUND MOD. 2643801502
25	CE1665A	CAVO ALIMENTAZIONE BARRA LED 1 MT
26	VM2044A	TAPPO PER PROFILO RACCOGLI GOCCE
29	OH4310A	PROFILO INOX PARACALORE CRUSCOTTO
30	PE1740C	SCHEDA CONTROLLO PE1705 CT BT
32	VT1135A	VETRO INTERNO 743X620X6 BETFL
34	CR1085A	CERNIERA VETRO INT INOX SUP
35	CR1086A	CERNIERA VETRO INT INOX INF
36	ED1291A	ETICHETTA LOGO Croustifrance

48	VE1030A	CALAMITA D=22,9mm PER MICROPORTA
49	VM1591A	STAFFA SPINGIVETRO INTERNO XVC100
50	VM1630A	TAPPO PREMI VETRO INTERNO
40	TB2277A	TUBO INT. UMIDITA' 2 MOTORI Ø16x1
41	TB2278A	TUBO INT. UMIDITA' 2 MOTORI Ø16x1
42	OG1498A	CARTER XBC615EG
43	GN1342C	GN1006A - GUARNIZIONE PORTA XBC60
44	VN1030A	VENTOLA D196 H81 39 PALE DADO M8
44	VN1030A	VENTOLA D196 H81 39 PALE DADO M8
46	OH4305A	DISCO TENUTA ALBERO MOTORE INOX S
48	OG1445A	DISTANZIALE CARTER ARIA XBC GAS
49	RS1215A	RES. PIANA 147W 105V D230 1 SPIRA
52	OH2551A	TAPPO PER TUBO DI SCARICO LIQUIDI
53	GRL1268A	SUPPORTO LAT. DX 6x600x400
54	GRL1267A	SUPPORTO LAT. SX 6x600x400
55	TR1041A	SONDA AL CUORE STAMPATA L=2000
56	VM1955A	CORPO GIRANTE LAVAGGIO
58	TB1956A	TB1520A-TUBO NERO EPDM L=50
59	RC1378A	FASCETTA STRINGI TUBO ZINCATA
60	RC1170A	DADO M14 H=8 CH=22 INOX
61	TB1515A	TUBO EST. UMIDITA' + RC1165A0
62	TB2246A	TUBO EST. UMIDITA' + RC1165A0
63	EL1361A	ELETTROVALVOLA TRI-STADIO JG D8-D
63	EL1361A	ELETTROVALVOLA TRI-STADIO JG D8-D
65	EL1055A	RIDUZIONE INTERMEDIA D10-D8
66	EL1020A	RACCORDO INTERMEDIO "T" TUBO ø8
68	VN1130A	MOTORE FORNO 330W 230V 50/60HZ
71	VM1465A	COPERCHIO SONDA TEMPERATURA CHEFT
73	TR1106A	SONDA TEMPERATURA PT100 L2000
74	PE1710A	SENSORE NUMERO GIRI MOTORE
75	VE1135A	ATTUATORE VENTURI 220V 50/60 Hz S

76	GN1531A	GUARNIZIONE TENUTA INGRESSO BULBO
77	OH7030A	COPERCHIO INGRESSO BULBO
100	OD2150A	FIANCO SX XBC615EG
101	OD2151A	FIANCO DX XBC615EG
102	OD1800A	COPERCHIO XBC615/815G
103	OF1436A	SCHIENA XBC615EG
104	VN1163A	VENTOLA RAFFREDDAMENTO 230V
105	VM1555A	SUPPORTO VENTOLA RAFFREDDAMENTO C
106	VM1556A	PROTEZIONE VENTOLA RAFFREDDAMENTO
107	OH5114A	LAMIERA COPERTURA BRUCIATORE CT-G
108	OH6395A	LONGHERONE BT S.5-E
109	PD1066B	PIEDE H100 PLASTICA BICOMPONENTE
110	PD1063A	STAFFA BLOCCAGGIO PIEDE CT BT
111	OE1313A	FONDO EST BT GAS S.5E
112	VM1992A	CASSETTO RACCOGLI GOCCE 860
113	VM1220A	CLIP FISSAGGIO CASSETTO RACCOGLIG
114	VL1026A	CURVA PER TUBO DI SCARICO
115	GN1400A	GUARNIZIONE SIFONE
116	VM2039A	ANELLO FISSAGGIO CURVA DI SCARICO
117	VM2035A	SUPPORTO PER TUBO DI SCARICO
118	VM1160B	STAFFA INFERIORE PORTA CT BT
119	OH2560A	CONTROSTAFFA ZINCATA PORTA C.T.
120	VM1461A	COPERCHIO SX SCROCCO PORTA XBC/XV
121	VM1191A	SCROCCO MANIGLIA SX CT BT
122	VM1201A	PIASTRINA SUPPORTO MICROPORTA MAG
123	VE1020A	MICROINTERRUTTORE PORTA MAGNETICO
124	VM1460A	COPERCHIO DX SCROCCO PORTA XBC/XV
125	VM1190A	SCROCCO MANIGLIA DX CT BT
126	PE1967B	SCHEDA MODBUS E USB CHEFTOP
127	OH1450A	ANGOLO FACCIATA MUFFOLA INOX XB-X
128	OH4060A	LAMIERA COPERTURA ELETT. GAS INOX

129	OH6406A	LAMIERA COPERTURA ACCENDITORE
130	GN1312A	PASSACAVO GOMMA DE=26 DI=15 SP=10
131	VM1195A	PIASTRINA COPRIFORI XVC204/304/50
132	VM1165B	STAFFA SUPERIORE PORTA CT BT
133	OH3790A	LAMIERA TENUTA CAMINO
134	GN1275A	GUARNIZIONE CAMINO SILICONE NERO
135	ON1210A	COPERTURA ESTETICA INTER. TIRAG.
136	ON1355A	CORPO INTERRUPTORE TIRAGGIO FUMI
138	ON1379A	LAMIERA LATERALE CANNE IPX
139	TR1109A	SONDA TEMPERATURA TC L2000 COMP
151	TB2235A	ROCCETTO DETERGENTE TUBO ø8
165	OP1007B	PORTACOMPONENTI BT GAS S.5E
166	MR1000A	CAVO 3X1,5 H07RN-F MT1,5+K2/3+SCH
167	VM1750A	MORSETTIERA A PETTINE
168	VM1840A	TAPPO NYLON NERO DIAM. 9,5 MM
169	CE1400A	CAVO RJ45 - RJ45 L=0,5MT
170	VE1026A	TRASFORMATORE 230-21-12Vac 90VA
171	PE1725E	SCHEDA POTENZA FORNI CT-BT S5.E
172	PE1730C	SCHEDA GESTIONE CENTRALINA GAS CT
174	OH7077A	PROFILO PROTEZIONE SCHEDA POTENZA
175	CN1003A	CONDENSATORE CORAZZATO 6,3 uF
176	TR1136A	TERMOSTATO SIC. UNIP. 330°C
185	VL1014A	RIDUTTORE DI PRESSIONE CON DISTRI
186	VL1038A	POMPA VIBRAZIONE
187	EL1411A	ELETTROVALVOLA H2O CON CHECK VALV
188	TB2403A	TUBO PVC ø9X6 L 250 MM
189	EL1180A	RACCORDO NON RITORNO ø8 ø8 FEMMIN
190	VM1630A	TAPPO PREMI VETRO INTERNO
191	EL1195B	RACCORDO GOMITO D8F-D8M
192	EL1115B	RACCORDO Y D8
193	EL1345A	CLIP BLOCCA PINZETTA RACCORDI ø8

194	EL1020A	RACCORDO INTERMEDIO "T" TUBO ø8
195	OH6413A	SUPPORTO IMPIANTO IDRICO
200	LV1525A	GUARNIZIONE CORDA FIBRA DI VETRO
201	ON1220A	CANNA SCAMBIATORE XBC615G
203	ON1225B	TURBOLATORE XBC615G
204	GR1070A	ANELLO PER LABIRINTO CANNA-PORTAC
205	TF1050A	COLONNINA FISSAGGIO BRUCIATORE XB
206	ON1310A	SCATOLA SUP. BRUCIATORE ATM V2
207	ON1190A	SCUDO INTERNO XVC314/514/714
208	ON1195A	SCUDO INTERMEDIO XVC314/514/714 G
210	BR1310A	CANDELA DOPPIA ACCENSIONE XVC-XBC
211	BR1230A	CANDELA DI RILEVAZIONE ACCENSIONE
212	BR1305A	ASS. BRUCIATORE ATM XVC/XBC 5 CAN
213	ON1185A	SCATOLA INFERIORE XVC314/514/714G
214	TF1045A	PERNO SOSTEGNO ANTERIORE BRUCIATO
215	VM1610A	CLIP TWIST LOCK DIAM. 7,6-10,2 MM
216	CE1777A	CAVO FIDA ACCENSIONE HV L=650
218	CE1811A	CAVO ALIMENTAZIONE ACCENDITORE
220	VE1625A	ACCENDITORE SSE
221	CE1782A	CAVO FIDA PONTE HV L=300
222	OH5126A	OMEGA FISSAGGIO ACCENDITORE
223	VE1060A	COPERCHIO PER VE1055A0
224	VE1055A	CONTROLLO FIAMMA HLL 220-240V 5 S
225	EL1400C	ELETTROVALVOLA MODULANTE GAS HONE
227	RC1045A	RACC DRITTO OTT FIL 3/4GAS FEMM.
228	RC1325A	RACCORDO FLESS. LE GAS 3/8 EST-M13
229	OH6501A	SUPPORTO VALVOLA GAS SERIE E
230	VI1140A	DADO 3/8" GAS FEMM 22x7 OTTONE OT
232	ON1135A	FORCHETTA PER TURBOLATORI GAS

MOD:XBC615EG



EN

Codes descriptions

1	VT1136B	EXT. GLASS SILKSCREENED 757X743X4
2	TB1191A	XVC505 XBC605 ST. STEEL LEFT DOOR
3	TB2315A	XVC505E-XBC605E RIGHT DOOR COLUMN
4	TB1361A	S. E BAKERTOP DOOR UPPER LISTEL
5	TB1362A	S. E BAKERTOP DOOR LOWER LISTEL
6	VM1170B	UPPER DOOR FULCRUM CAP
7	VM1171B	DOOR LOWER FULCRUM CAP
8	VM1175A	DOOR COLUMN BLANKING CAP
9	VM1511A	XBC/XVC SLEEK DOOR PIN BUSHING
10	VM1510A	XBC/XVC GROOVED DOOR PIN BUSHING
11	VM2031A	EXTERNAL GLASS PUSHING PLATE
12	VM2043A	UPPER - LOWER GLASS SUPPORT
13	VM2042A	INTERNAL GLASS LATERAL LOCKING SY
14	VM1621A	LED BAR UPPER SUPPORT
15	VM1620A	LED BAR LOWER SUPPORT
16	LP1002B	LED LIGHTING BAR L400
17	VM1490A	CHEFTOP/BAKERTOP HANDLE SCREWS CO
19	GN1181A	INTERNAL GLASS HINGE SEAL
20	VM1680A	INTERNAL GLASS HINGE
21	VM1617A	DRIP PROFILE
22	VM2014A	LEFT DRIP PROFILE PIPE
23	CE1310A	POWER - CONTROL BOARD CONNECTING
24	CE1285A	EMI ROUND FERRITE MOD.2643801502
25	CE1665A	LED POWER SUPPLY 1 M CABLE
26	VM2044A	DRIP PROFILE CAP
29	OH4310A	ST. STEEL HEAT-GUARD FOR CONTROL
30	PE1740C	CT BT CONTROL BOARD PE1705 + BOAR
32	VT1135A	INTERNAL GLASS 743x620x6 XBC604
34	CR1085A	INTERNAL GLASS UPPER HINGE
35	CR1086A	INTERNAL GLASS LOWER HINGE
36	ED1291A	Croustifrance LOGO LABEL

48	VE1030A	MAGNET FOR DOOR MICROSWITCH D=22,
49	VM1591A	GLASS BRACKET INT. XVC1004
50	VM1630A	INTERNAL GLASS PUSHING CAP
40	TB2277A	2 MOTORS INTERNAL WATER PIPE Ø16x
41	TB2278A	2 MOTORS INTERNAL WATER PIPE Ø16x
42	OG1498A	XBC615EG FAN GUARD
43	GN1342C	XBC605E DOOR SEAL - GN1006A
44	VN1030A	MOTOR FAN D196 H81 39 BLADE NUT M
44	VN1030A	MOTOR FAN D196 H81 39 BLADE NUT M
46	OH4305A	ST. STEEL MOTOR SHAFT SEALING DIS
48	OG1445A	XBC GAS OVENS FAN GUARD SPACER
49	RS1215A	147W 105V D230 1 TURN FLAT ELEMEN
52	OH2551A	XBC/XVC ST.STEEL DRAIN COVER
53	GRL1268A	RIGHT LATERAL SUPPORT 6x600x400
54	GRL1267A	LEFT LATERAL SUPPORT 6x600x400
55	TR1041A	MOLDED CORE PROBE L=2000
56	VM1955A	WASHING SYSTEM ROTOR
58	TB1956A	TB1520A - EPDM BLACK PIPE L=50
59	RC1378A	HOSE CLAMP
60	RC1170A	STAINLESS STEEL NUT M14 H=8 CH=22
61	TB1515A	EXTERNAL WATER PIPE + RC1165A0
62	TB2246A	EXTERNAL WATER PIPE + RC1165A0
63	EL1361A	J.G. THREE-STAGE SOLENOID VALVE D
63	EL1361A	J.G. THREE-STAGE SOLENOID VALVE D
65	EL1055A	INTERMEDIATE REDUCTION FROM D=10
66	EL1020A	INTERMEDIATE "T" CONNECTION ø8
68	VN1130A	330W 230V 50/60HZ MOTOR
71	VM1465A	CHEFTOP TEMPERATURE PROBE COVER
73	TR1106A	TEMPERATURE PROBE PT100 L=2000
74	PE1710A	MOTOR REVOLUTIONS SENSOR
75	VE1135A	VENTURI ACTUATOR 220 V 50/60 Hz 5

76	GN1531A	PROBE SEALING
77	OH7030A	INLET COVER BULB
100	OD2150A	XBC605E/615EG EXTERNAL LEFT PANEL
101	OD2151A	XBC605E/615EG EXTERNAL RIGHT PANE
102	OD1800A	XBC615G/815G EXTERNAL COVER
103	OF1436A	XBC605E/615EG EXTERNAL BACK PANEL
104	VN1163A	COOLING FAN 230V
105	VM1555A	CT BT COOLING DOWN FAN SUPPORT
106	VM1556A	XBC-XVC COOLING FAN GUARD
107	OH5114A	CHEFTOP GAS BURNER COVER
108	OH6395A	S. S-E BAKERTOP FEET BRACKET
109	PD1066B	BI-COMPONENT FOOT H100
110	PD1063A	CT BT FOOT STOP BRACKET
111	OE1313A	E S. BAKERTOP GAS EXTERNAL BOTTOM
112	VM1992A	E SERIES BAKERTOP DRIP TRAY
113	VM1220A	CLIP TO FIX DRIP TRAY C.T.
114	VL1026A	BEND FOR DRAIN PIPE
115	GN1400A	U-TRAP SEAL
116	VM2039A	DRAIN BEND FIXING RING
117	VM2035A	DRAIN PIPE SUPPORT
118	VM1160B	CT BT DOOR LOWER BRACKET
119	OH2560A	XBC/XVC ZINC PLAT. DOOR COUNTERBR
120	VM1461A	XBC/XVC LEFT DOOR LATCH CAP
121	VM1191A	CT BT LEFT DOOR SPRING LATCH
122	VM1201A	MAGNETIC SUPPORT PLATE FOR DOOR M
123	VE1020A	MAGNETIC DOOR MICROSWITCH
124	VM1460A	XBC/XVC RIGHT DOOR LATCH CAP
125	VM1190A	CT BT RIGHT DOOR SPRING LATCH
126	PE1967B	E SERIES CHEFTOP-BAKERTOP POWER C
127	OH1450A	XB-XV-XG ST. STEEL MUFFLE FRONT C
128	OH4060A	XBC615G ST. STEEL GAS ELECTRONIC

129	OH6406A	STARTER COVER
130	GN1312A	RUBBER CABLE-PASSING DE=26 DI=15
131	VM1195A	HOLES BLANKING PLATE XVC204/304/5
132	VM1165B	CT BT DOOR UPPER BRACKET
133	OH3790A	CHIMNEY HOLDING PLATE
134	GN1275A	XBC/XVC BLACK CHIMNEY SEALING
135	ON1210A	XVC GAS DRAFT STOPPER EXTERNAL CO
136	ON1355A	GAS DRAFT STOPPER CASING
138	ON1379A	HEAT EXCHANGER LATERAL PANEL
139	TR1109A	TC K L2000 TEMPERATURE PROBE-US V
151	TB2235A	Ø8 DETERGENT PIPE COIL
165	OP1007B	
166	MR1000A	CABLE 3X1,5 H07RN-F MT1,5+K2/3+5
167	VM1750A	TERMINAL BOARD
168	VM1840A	BLACK NYLON CAP DIAM. 9,5mm
169	CE1400A	RJ45 - RJ45 CABLE L=0,5MT
170	VE1026A	TRANSFORMER 230-21-12Vac 80VA
171	PE1725E	E SERIES CHEFTOP-BAKERTOP POWER C
172	PE1730C	CT-BT GAS CONTROL BOARD
174	OH7077A	POWER CARD PROTECTING PROFILE H55
175	CN1003A	CONDENSER,3 UF
176	TR1136A	SAFETY THERMOSTAT UNIP. 330°C
185	VL1014A	PRESSURE REDUCER WITH DISTRIBUTOR
186	VL1038A	VIBRATION PUMP
187	EL1411A	SOLENOID VALVE WITH CHECK VALVE
188	TB2403A	Ø9X6 L 250 MM PVC PIPE
189	EL1180A	Ø8 Ø8 FEMALE NON-RETURN CONNECTIO
190	VM1630A	INTERNAL GLASS PUSHING CAP
191	EL1195B	D8F-D8M ELBOW CONNECTION
192	EL1115B	Y D8 CONNECTION
193	EL1345A	CLIP TO FIX Ø8 mm CONNECTION JOI

194	EL1020A	INTERMEDIATE "T" CONNECTION ø8
195	OH6413A	WATER SYSTEM SUPPORT
200	LV1525A	COUNTERPIPE GLASS FIBRE STRING SE
201	ON1220A	XBC615G HEAT EXCHANGER PIPE
203	ON1225B	XBC615EG BAFFLE
204	GR1070A	STAINLESS STEEL RING FOR LABYRIN
205	TF1050A	XBC BURNER FIXING COLUMN
206	ON1310A	UPPER BOX FOR ATM V2 BURNER
207	ON1190A	XBC-XVC INTERNAL BURNER GUARD
208	ON1195A	XBC-XVC MID BURNER GUARD
210	BR1310A	XBC-XVC DOUBLE START UP CANDLE
211	BR1230A	START UP SENSOR CANDLE
212	BR1305A	XVC/XBC 5 CANDLES BURNER
213	ON1185A	XVC315/515/715G ST. ST. LOWER BOX
214	TF1045A	FRONT BURNER RESTING PIN
215	VM1610A	CLIP TWIST LOCK DIAM. 7,6-10,2 MM
216	CE1777A	HV L=650 STARTER FIDA CABLE
218	CE1811A	LIGHTER CONNECTING CABLE
220	VE1625A	SE SERIES GAS LIGHTER
221	CE1782A	HV L=300 BRIDGE FIDA CABLE
222	OH5126A	LIGHTER FIXING OMEGA
223	VE1060A	COVER FOR VE1055A0
224	VE1055A	HLL 220-240V 5 SEC FLAME CONTROL
225	EL1400C	
227	RC1045A	3/4 FEMALE-3/4 STRAIGHT GAS CONNE
228	RC1325A	FLEXIBLE GAS JOINT 3/8 EST-M13X1
229	OH6501A	E SERIES GAS VALVE SUPPORT
230	VI1140A	BRASS FEMALE GAS NUT 3/8" 22x7
232	ON1135A	GAS BUFFLE FORK